



Excavator SWE 10EU



Operating Weight	1.1t(rubber track)
Engine Power	7.2kW/2400rpm
Engine Brand	YANMAR
Standard Bucket Capacity	0.022m ³
Max. Digging Depth	1.81m

Excavator SWE10EU

Parameter

ENGINE

Brand	Yanmar
Model	2TNV70
Type	2-cylinder water-cooled indirect injection
Displacement	0.57L
Power	7.2kW/2400rpm

DIMENSIONS

Counterweight Clearance	418.5mm
Tail Swing Radius	500mm
Shipping Length	2930mm
Shipping Width	750mm
Shipping Height	2130mm

ELECTRIC SYSTEM

Nominal Voltage	12V
Batteries	36Ah
Alternator	12V-40A
Starter	12V-1.0kW

WORKING RANGES

Max. Cutting Height	3092mm
Max. Loading Height	2314mm
Max. Digging Depth	1813mm
Max. Vertical Wall Digging Depth	1430mm
Max. Digging Reach	3343mm
Max. Reach at Ground Level	3243mm
Bucket Digging Force	9.4kN
Stick Digging Force	5.8kN
Ground Pressure	24.5kPa
Swing Speed	8.2rpm

DRIVE

Max. Travel Speed (2nd/1st)	2.9/1.5km/h
Gradeability	30°
Max. Traction	9.4kN

UNDERCARRIAGE

Undercarriage Width	750/1000mm
Shoe Width	180mm
Length to Center of Rollers	975mm
Track Length	1299mm
Track Height	330mm

CAPACITY

Fuel Tank	10L
Hydraulic Oil Tank	9.5L

BULLDOZING BOARD

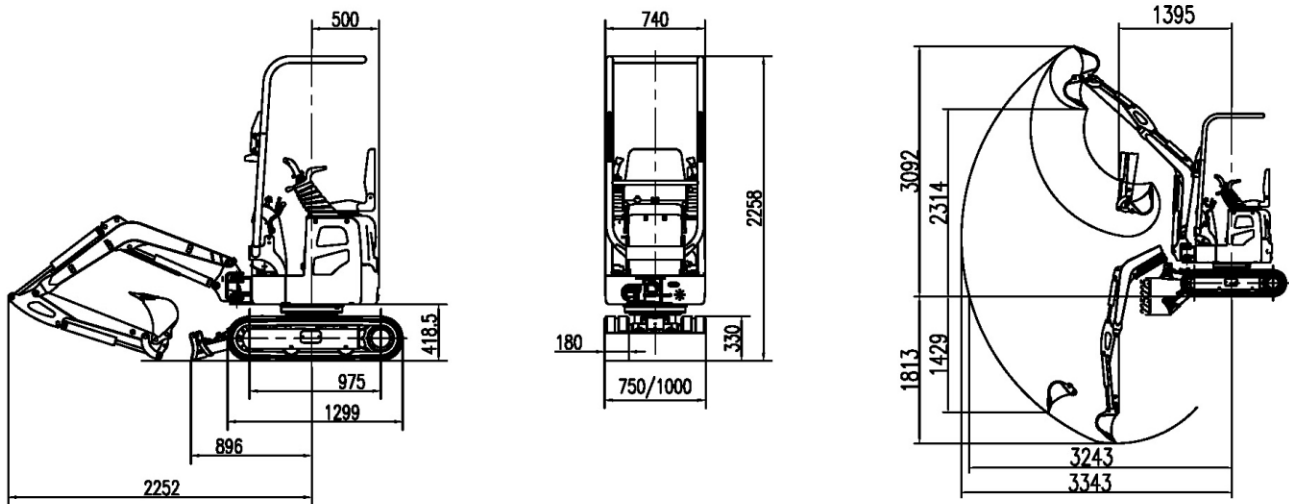
Independent Moving, Controlled By The Gear Shift Lever	
Length X Width	1000X197mm
Max. Lifting Height	225mm
Max. Cutting Depth	225mm

HYDRAULIC SYSTEM

Main Pumps	
Type	3 gear pumps
Displacement	3x9.6L/min
Working Pressure	16 Mpa
Pilot Pressure	3.5Mpa

Excavator SWE 10EU

Working Ranges



Load Capacity

A(m) \ B(m)	MAX		2.0m		1.5m		1.0m	
	Front(kg)	Side(kg)	Front(kg)	Side(kg)	Front(kg)	Side(kg)	Front(kg)	Side(kg)
2.0	119.60*	86.60	129.20*	107.30	—	—	—	—
1.5	148.40*	66.00	177.10*	99.00	191.40*	169.20	—	—
1.0	157.90*	61.90	100.50*	94.90	167.50*	148.50	416.40*	264.00
0.5	157.90*	61.90	172.30*	86.60	291.90*	132.00	488.20*	227.00
0.0	196.20*	70.10	224.90*	86.60	349.40*	136.20	445.10*	202.20
-0.5	186.60*	74.30	224.90*	82.50	330.20*	123.80	392.40*	177.40
-1.0	205.80*	127.90	—	—	224.90*	136.20	287.10*	243.40

Notes:

- 1) Load with * is limited by hydraulic capacity and based on ISO 10567. Rated loads do not exceed 87% of hydraulic capacity.
- 2) Load without * is limited by tipping load and based on ISO 10567. Rated loads do not exceed 75% of tipping load.

■ SUNWARD INTELLIGENT EQUIPMENT CO.,LTD.

Add: Sunward Intelligent Industrial Park, Xingsha, Changsha, 410100, China.

Tel: (0086-731) 83572 828 Fax: (0086-731) 83572 661

E-mail: international@sunward.com.cn

Web: www.sunward.com.cn

■ SUNWARD EUROPE HEAVY INDUSTRY NV

Add: Nijverheidspark 3, 3580 Beringen, Belgium

Tel: (0032-011) 434666

E-mail: eu@sunward.cc

